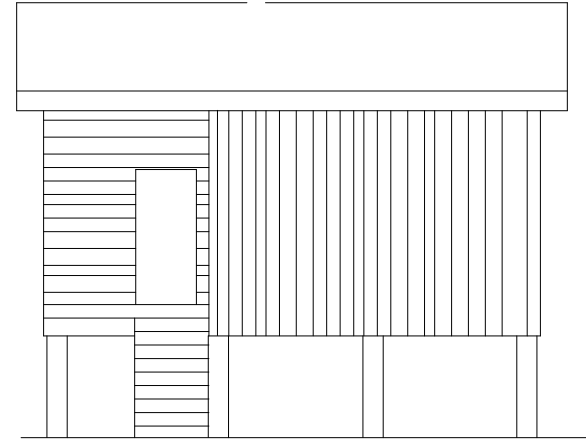
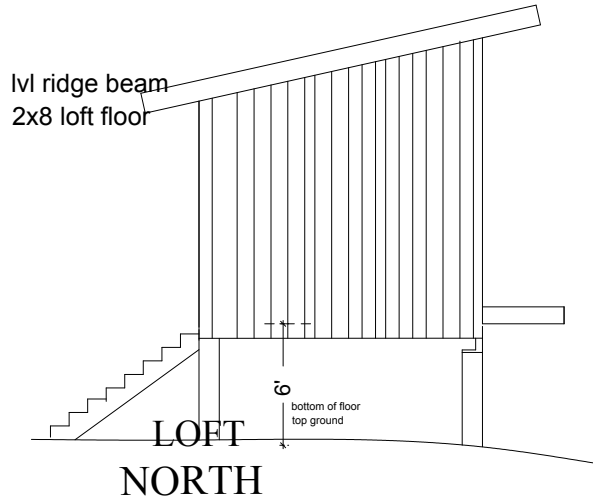
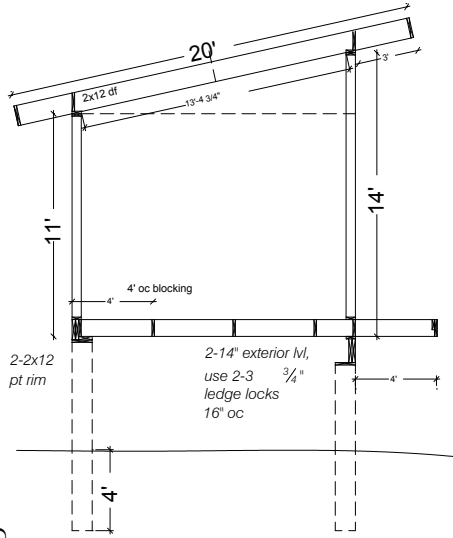


2x6 wall framing , continous 12" lvl header at deck wall with 2-2x12 header ledge locked over door,  
 $\frac{5}{8}$ " zip roof 2" insul roof panel , , 2x12 df rafters 16"oc, continuous blocking over walls,

$\frac{1}{2}$ " zip sheathing,  
 $\frac{3}{4}$ " Advantech ul fir deck,



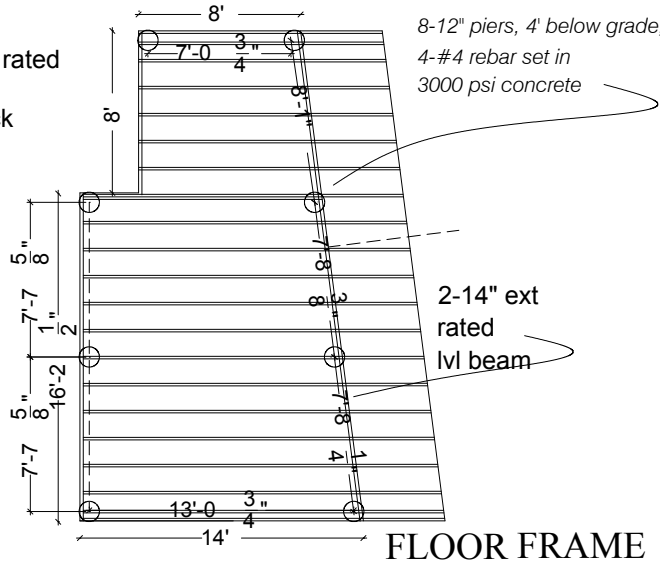
SECTION

LOFT  
NORTH

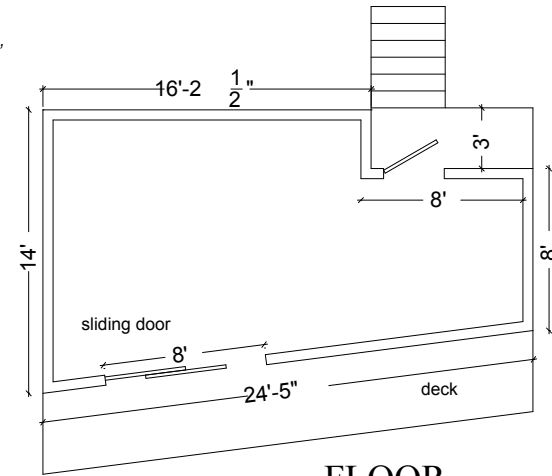
EAST

VERIFY ALL DIMENSIONS IN FIELD

.all floor frame to be exterior rated  
 $\frac{3}{4}$ " t&g ADVANTECH ul deck  
 2x10 pt floor joists 16"oc max span 7'8", joists hangers  $\frac{1}{2}$ " x 8" masonry anchor to piers



FLOOR FRAME



FLOOR

05.20.26

drawn by S deLisio

SCALE AS DIMENSIONED

BEAU ACKER

Fly Tying Studio

PROPOSED

TOWN OF SHANDAKEN

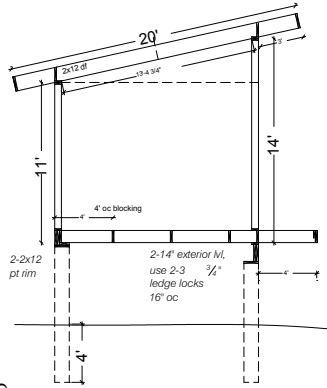
ROUTE 214 PHONECIA

VERIFY ALL DIMENSIONS IN FIELD

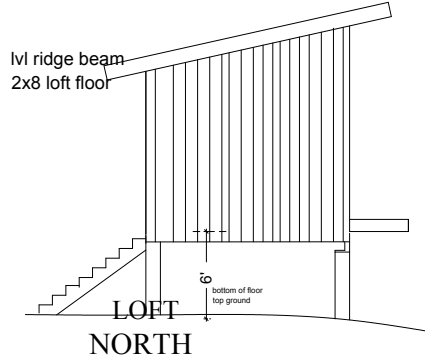
1

2x6 wall framing , continous 12" lvl header at deck wall with 2-2x12 header ledge locked over door,  
5/8" zip roof 2" insul roof panel , 2x12 df rafters 16"oc, continuous blocking over walls,

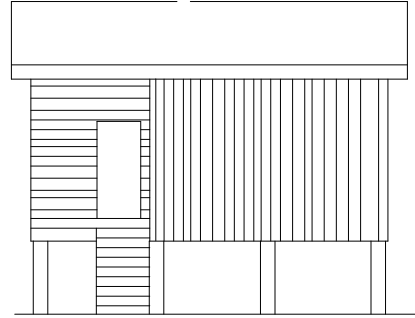
1/2" zip sheathing,  
3/4" Advantech ul fir deck,



SECTION



LOFT  
NORTH

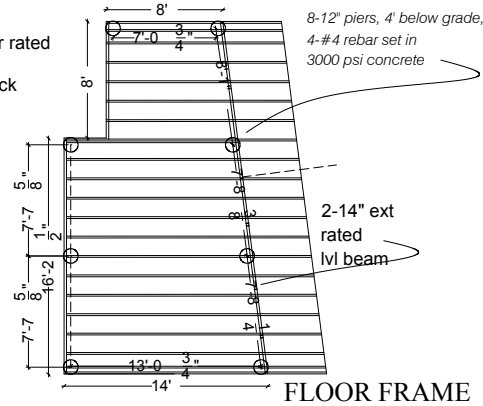


EAST

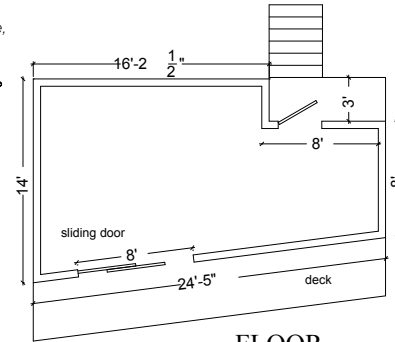
.all floor frame to be exterior rated

.3/4"t&g ADVANTECH ul deck

2x10 pt floor  
joists 16"oc  
max span 7'8",  
joists hangers  
1/2" x 8" masonry  
anchor to piers



FLOOR FRAME



FLOOR

SCALE AS DIMENSIONED      drawn by S deLisio      05.20.26

PROPOSED      Fly Tying Studio      BEAU ACKER

ROUTE 214 PHONECIA      TOWN OF SHANDAKEN



