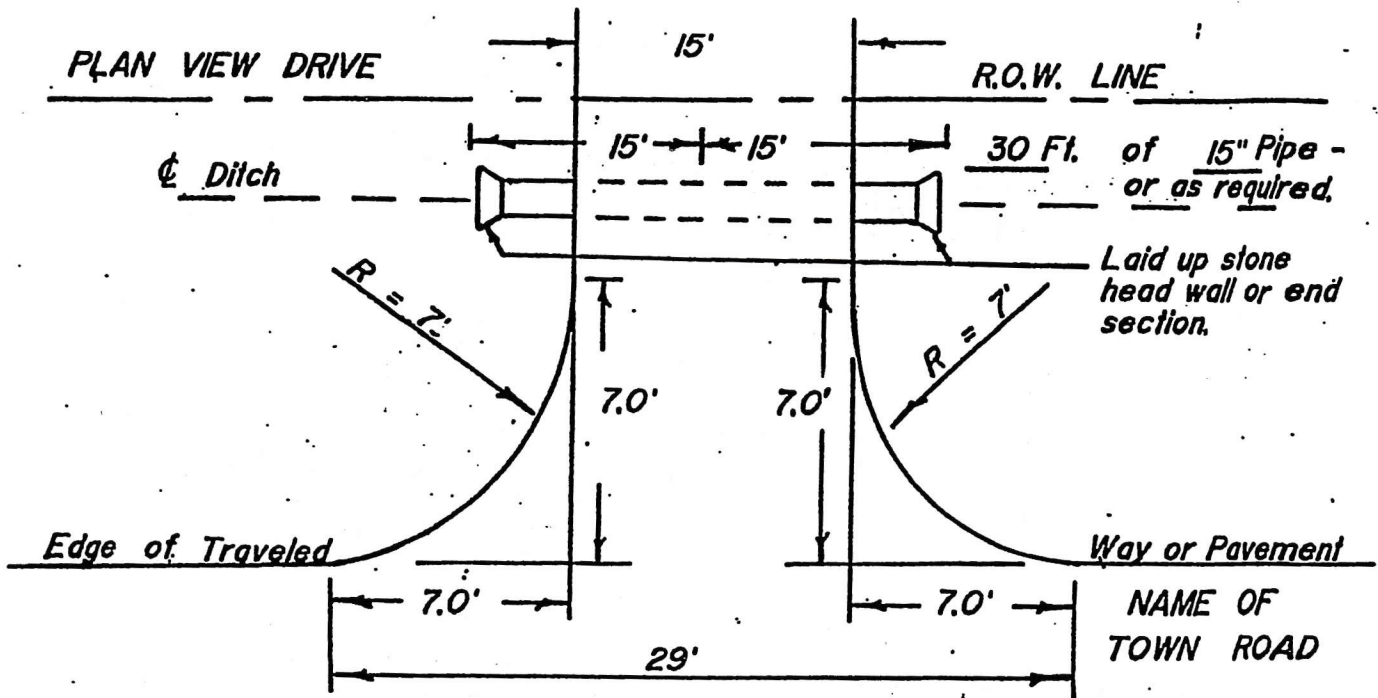


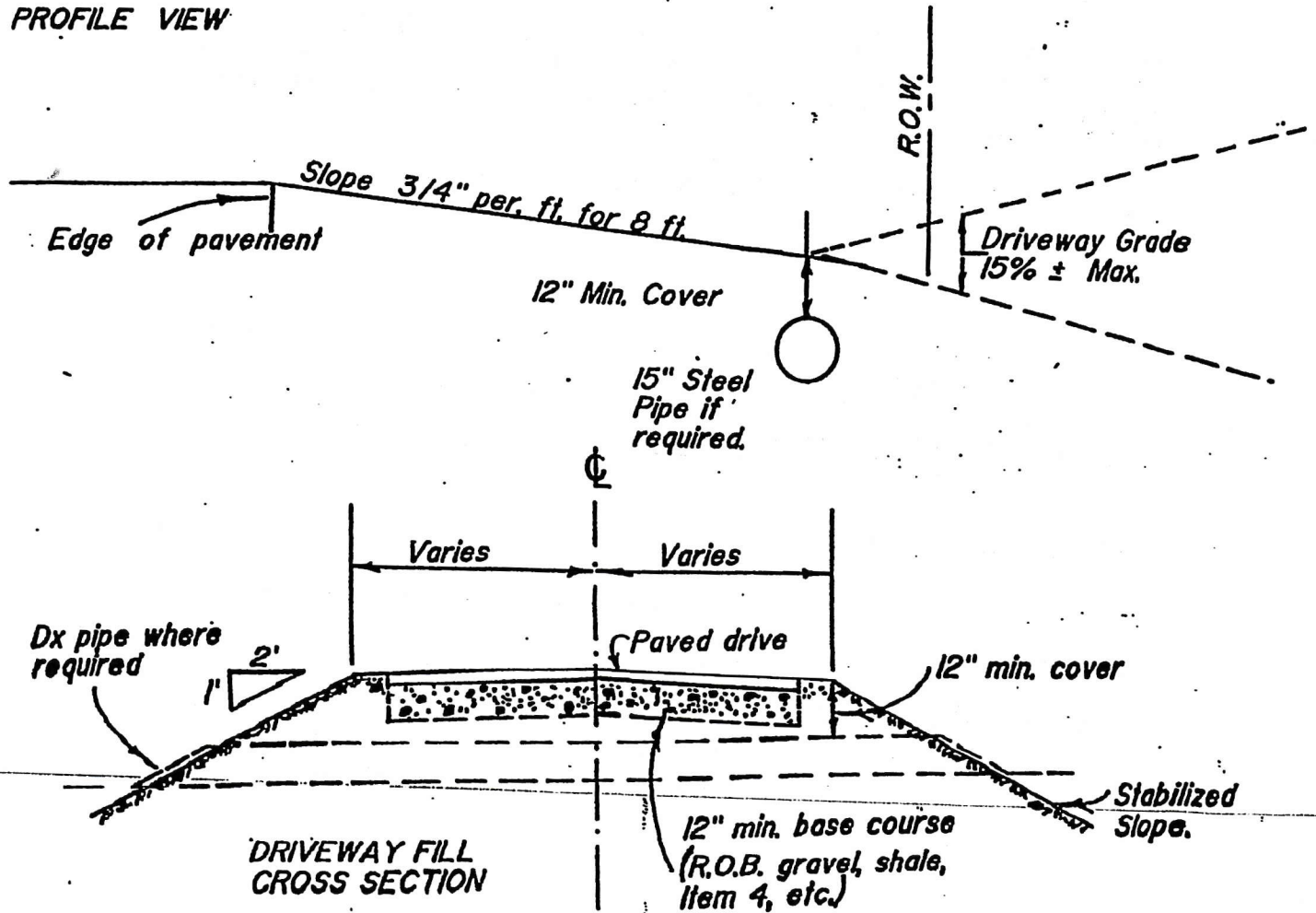
TOWN OF SHANDAKEN - PRIVATE DRIVEWAY  
SPECIFICATIONS

TYPICAL ACCESS DRIVE

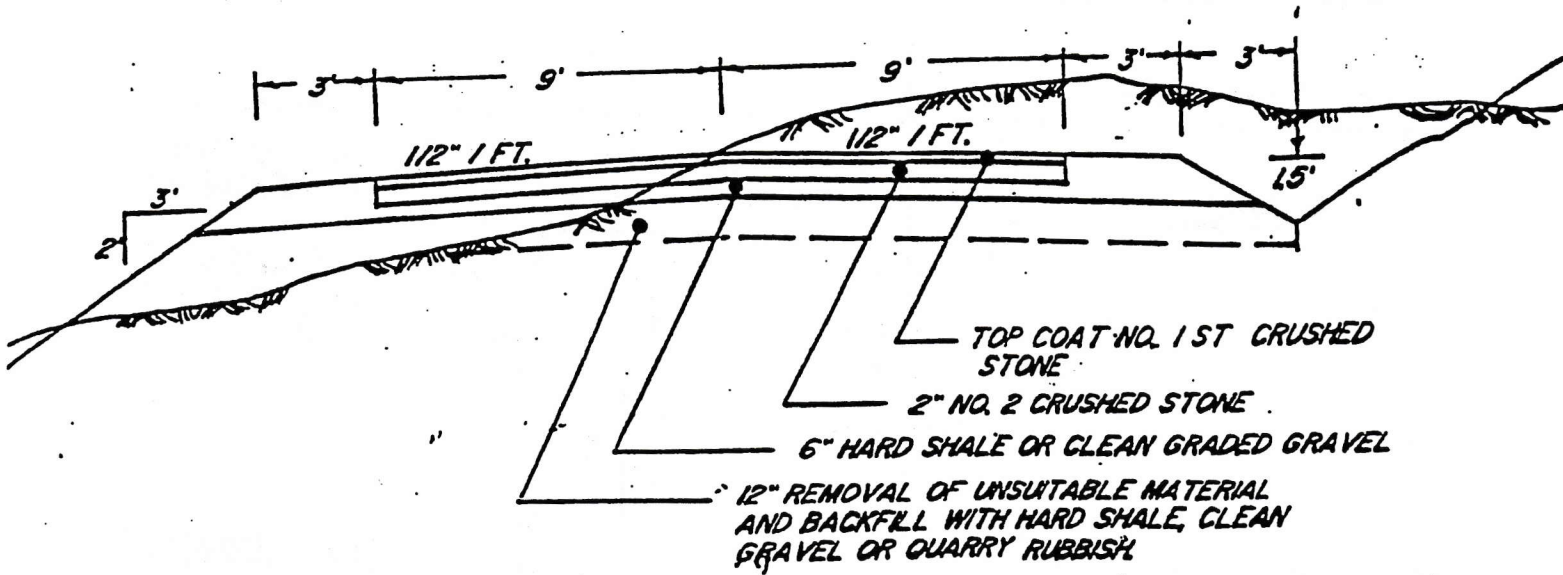
TOWN OF SHANDAKEN



PROFILE VIEW



TOWN OF SHANDAKEN HIGHWAYS  
**TYPICAL SECTION**  
**NEW TOWN HIGHWAYS**



DRIVEWAY APPLICATION

PLEASE SUBMIT YOUR REQUEST FOR INSPECTION PRIOR TO ANY COMMENCEMENT OF WORK. IF YOU WILL CONTACT THE HIGHWAY SUPERINTENDENT, MR. Eric Hofmeister 5 DAYS IN ADVANCE, AT 688-9901 or 688-5031 HE WILL MAKE ARRANGEMENTS TO MEET WITH YOU AT THE SITE.

A \$25.00 FEE IS REQUIRED BEFORE DRIVEWAY APPROVAL IS GRANTED.

APPLICANTS NAME: \_\_\_\_\_ PHONE NUMBER: \_\_\_\_\_

ADDRESS: \_\_\_\_\_

DRIVEWAY ADDRESS-LOCATION: \_\_\_\_\_

PRE-SITE INSPECTION DATE: \_\_\_\_\_

INSPECTED BY: \_\_\_\_\_

FEE RECEIVED: \_\_\_\_\_ AMOUNT: \_\_\_\_\_ CHECK NO. \_\_\_\_\_

FINAL APPROVAL DATE OF INSPECTION: \_\_\_\_\_

INSPECTED BY: \_\_\_\_\_