



SYSTEM DETAILS

- 19.68 kW GROUND MOUNTED SOLAR ARRAY
- (48) JINKO 410 WATT SOLAR PANELS MOUNTED IN FIELD 200' NW OF METER
- (2) TIGO TSI 7.6 kW INVERTERS LOCATED AT GROUND MOUNTED SOLAR ARRAY
- PRE-EXISTING 26.5 kW DC/ 24 kW AC GROUND MOUNTED SOLAR ARRAYS LOCATED 10' DUE NE OF PROPOSED SYSTEM. PRE-EXISTING SOLAR IS NET METERED IN ASSOCIATION WITH NYSEG ACCOUNT # 1001-5910-234
- RACKING SYSTEM: IRON RIDGE SELF BONDED RACKING SYSTEM - 3" SCHED 40 GALVINZED STEEL PIPE - HELICAL PILES
- MAIN DISTRIBUTION PANEL: LOCATED ON ELECTRICAL STANCHION WITH UTILITY METER.
- CONDUIT: 200' OF PVC CONDUIT RUNS UNDERGROUND FROM ARRAY TO POI
- DISCONNECTS: MAIN PV AC DISCONNECT IS 200AS/200AF BLADED DISCONNECT LOCATED NEXT TO UTILITY METER AT ELECTRICAL STANCHION. INTEGRATED DC DISCONNECTS LOCATED ON EACH INVERTER.
- POINT OF INTERCONNECTION: BACKFED BREAKERS IN DEDICATED PV DISTRIBUTION PANEL.
- MONITORING: ENERGY INTELLIGENCE BY TIGO

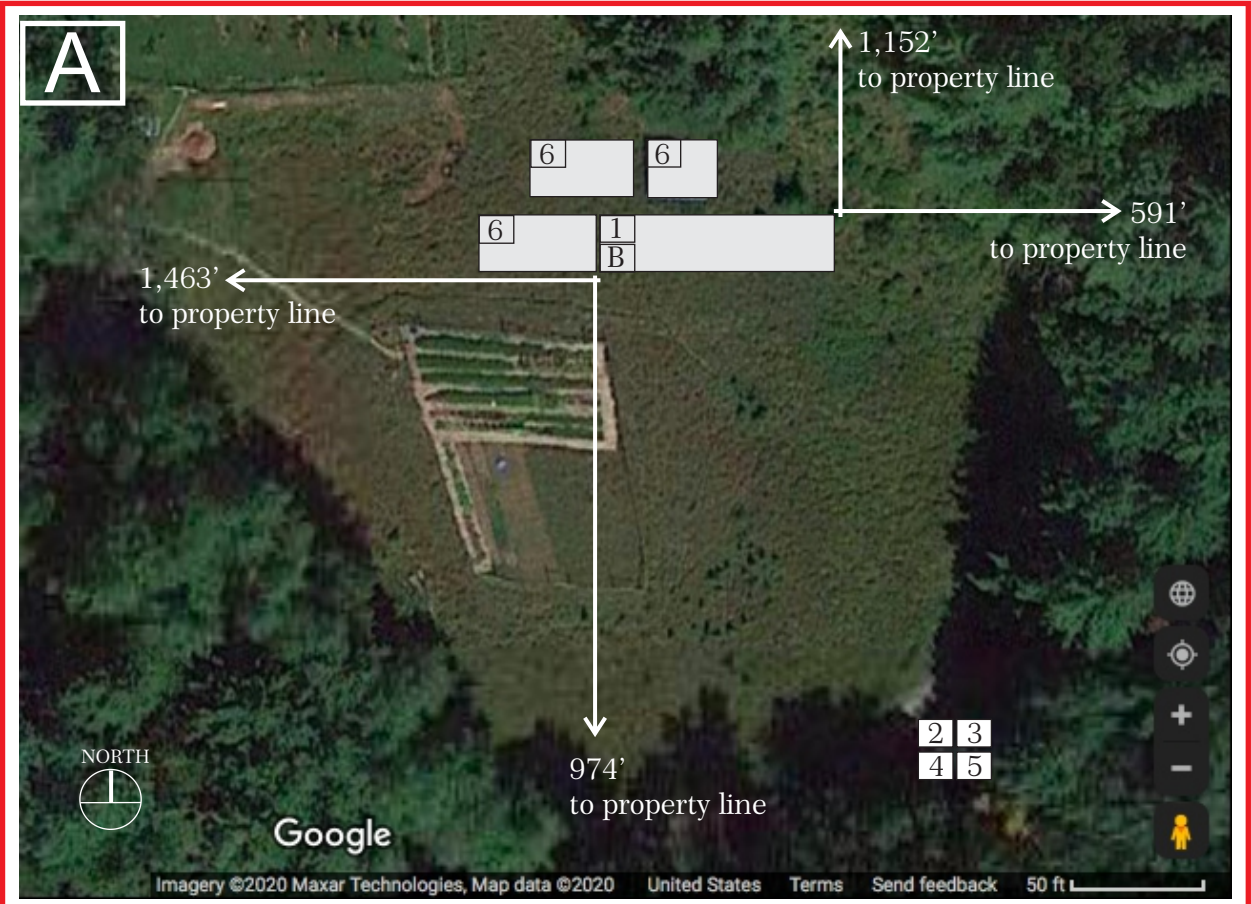
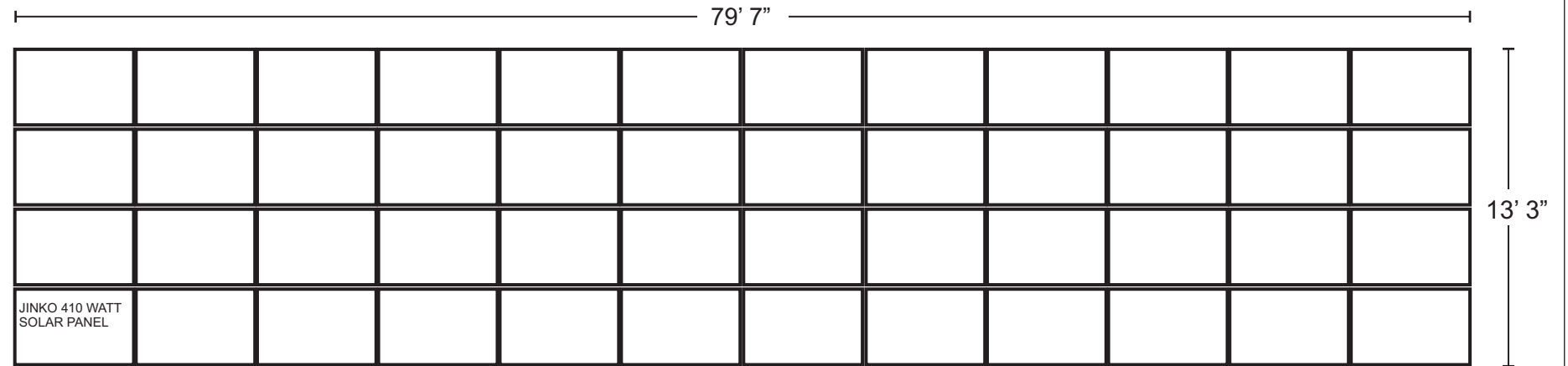
LEGEND AND LOCATIONS

- 1 SOLAR PANELS / INVERTERS
- 2 UTILITY METERS
- 3 MAIN DISTRIBUTION PANEL
- 4 MAIN PV AC DISCONNECT
- 5 POINT OF INTERCONNECTION
- 6 EXISTING 26.5 kW DC / 24 kW AC OF GROUND MOUNTED SOLAR

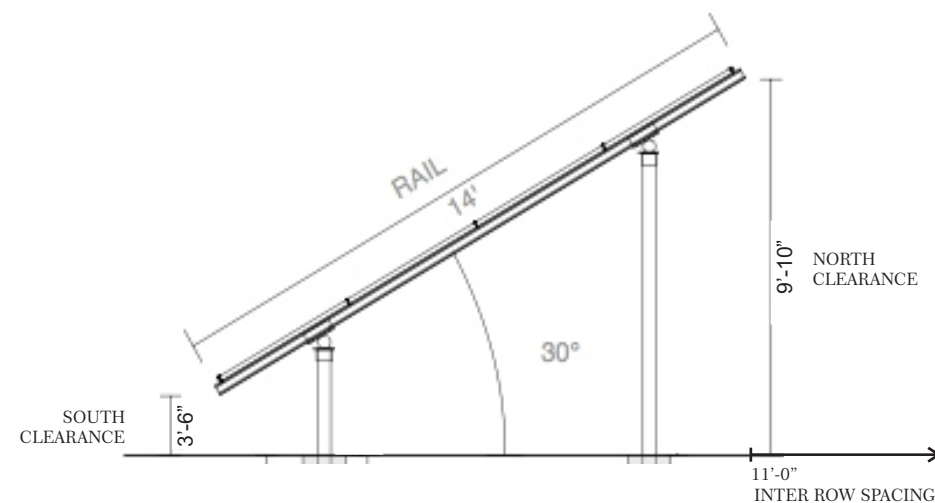
SITE NOTES

SNOW LOAD:	50 PSF
WIND SPEED:	115 MPH
AZIMUTH:	180 TRUE
ARRAY PITCH:	30 DEG

B PV ARRAY BIRDSEYE VIEW



PV ARRAY CROSS SECTION



Autonomous Energies PO Box 1245 Kingston, NY 12402			
PROJECT:		ZEN MOUNTAIN MONASTER SITE PLAN	
ADDRESS:		TITLE/PART/DESCRIPTION:	
871 PLANK RD MT. TREMPER, NY 12457		19.68 kW SOLAR SYSTEM	
DRAWN BY: Adam Katzman		SCALE:	REVISION: 1
		DATE DRAWN: 10/20/23	PAGE: 1 of 1

50'